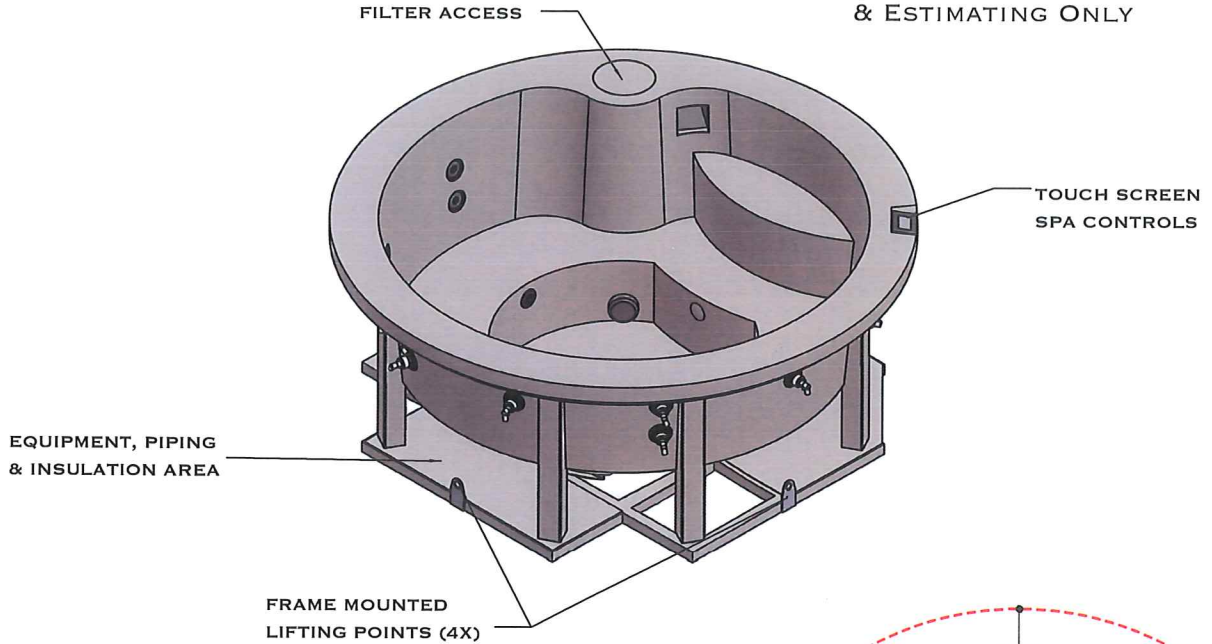




CRESTONE PORTABLE SPA

STAINLESS STEEL SPECIFICATIONS

SPEC SHEET FOR PRE-PLANNING
& ESTIMATING ONLY



FEATURES:

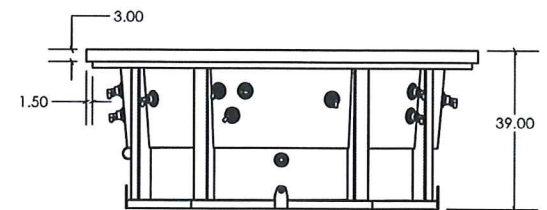
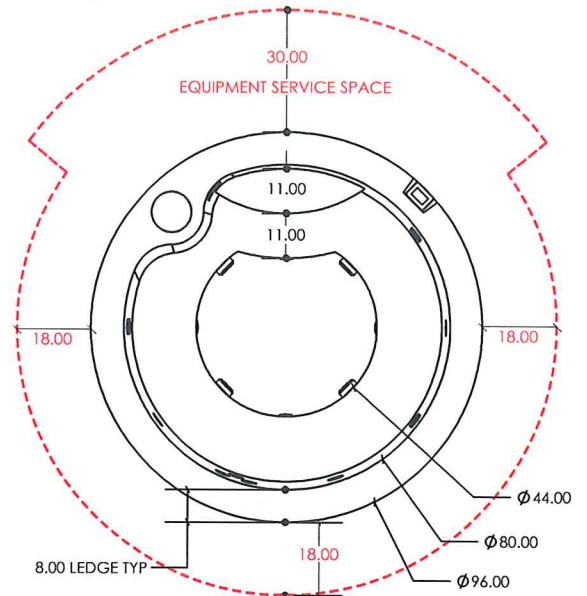
- + COPPER SPA SHELL WITH 304L STAINLESS STEEL FRAME
- + 5-6 BATHER CAPACITY
- + LED LIGHTING
- + 14 HYDROTHERAPY JETS
- + FULLY INSULATED WITH 2-PART POLYURETHANE FOAM (NOT SHOWN)
- + RIGID FOAM COVER WITH R-15 INSULATION AND ASTM CERTIFICATION
- + UV LIGHT & HYDROGEN PEROXIDE SANITIZATION
- + OVERALL DIMENSIONS: 96" X 96" X 39"
- + WATER CAPACITY: 419 GALLONS
- + EMPTY WEIGHT: 1,013 LBS
- + FULL WEIGHT: 4,509 LBS

CERTIFICATIONS:

- STAINLESS STEEL & COPPER SHELLS:
- + IAPMOEGS LISTING FOR UL 1795 AND CSA C22.2 STANDARDS

POWER REQUIREMENTS:

- + (1X) 230V 50A GFCI SERVICE AT EQUIPMENT FOR SPA CONTROL AND 5.5KW ELECTRIC HEATER
- + SPA SHELL AND ALL EQUIPMENT TO BE BONDED W/ MIN. #6AWG BARE COPPER CONDUCTOR



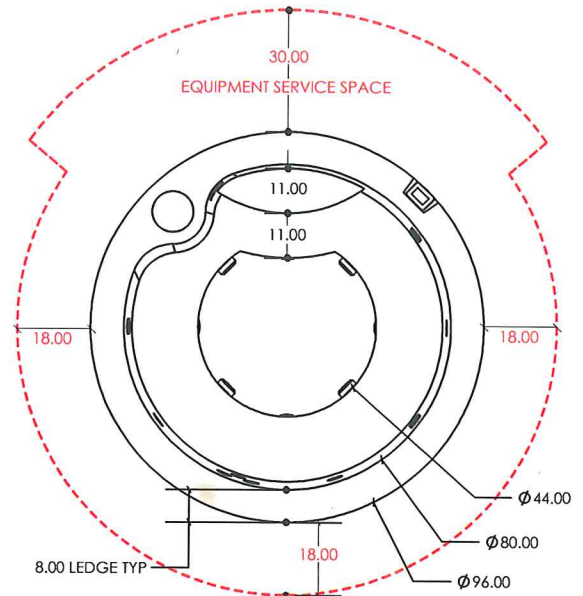
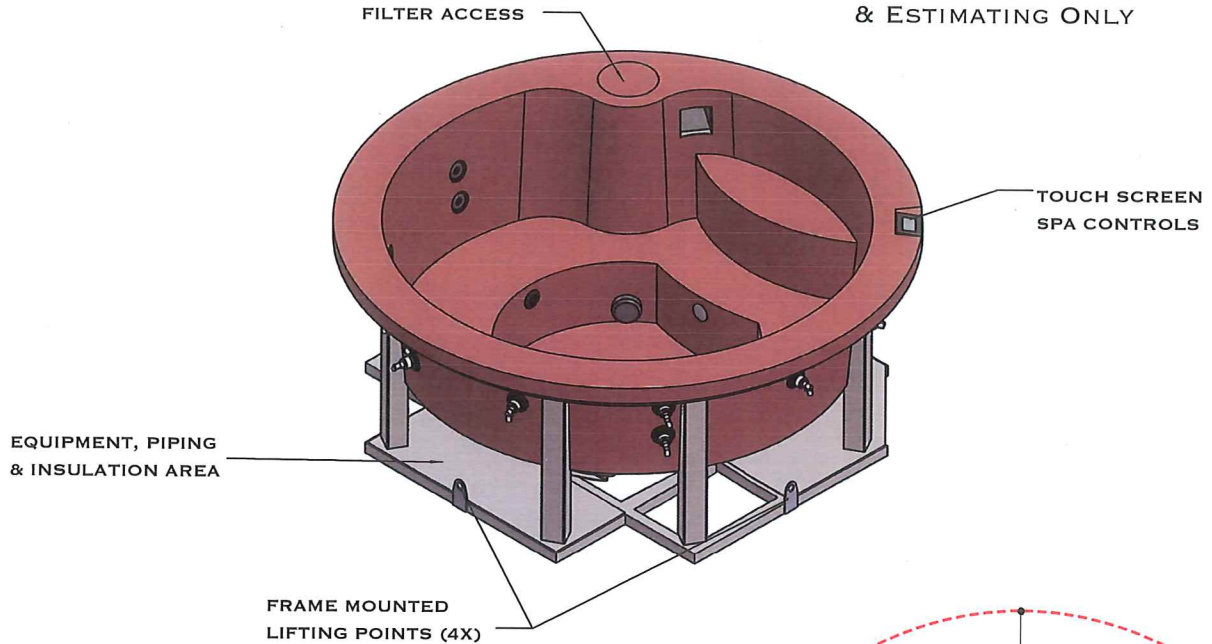


CRESTONE PORTABLE SPA

COPPER

SPECIFICATIONS

SPEC SHEET FOR PRE-PLANNING
& ESTIMATING ONLY



FEATURES:

- + COPPER SPA SHELL WITH 304L STAINLESS STEEL FRAME
- + 5-6 BATHER CAPACITY
- + LED LIGHTING
- + 14 HYDROTHERAPY JETS
- + FULLY INSULATED WITH 2-PART POLYURETHANE FOAM (NOT SHOWN)
- + RIGID FOAM COVER WITH R-15 INSULATION AND ASTM CERTIFICATION
- + UV LIGHT & HYDROGEN PEROXIDE SANITIZATION
- + OVERALL DIMENSIONS: 96" X 96" X 39"
- + WATER CAPACITY: 419 GALLONS
- + EMPTY WEIGHT: 1,013 LBS
- + FULL WEIGHT: 4,509 LBS

CERTIFICATIONS:

- STAINLESS STEEL & COPPER SHELLS:
- + IAPMOEGS LISTING FOR UL 1795 AND CSA C22.2 STANDARDS

POWER REQUIREMENTS:

- + (1x) 230V 50A GFCI SERVICE AT EQUIPMENT FOR SPA CONTROL AND 5.5KW ELECTRIC HEATER
- + SPA SHELL AND ALL EQUIPMENT TO BE BONDED W/ MIN. #6AWG BARE COPPER CONDUCTOR

