

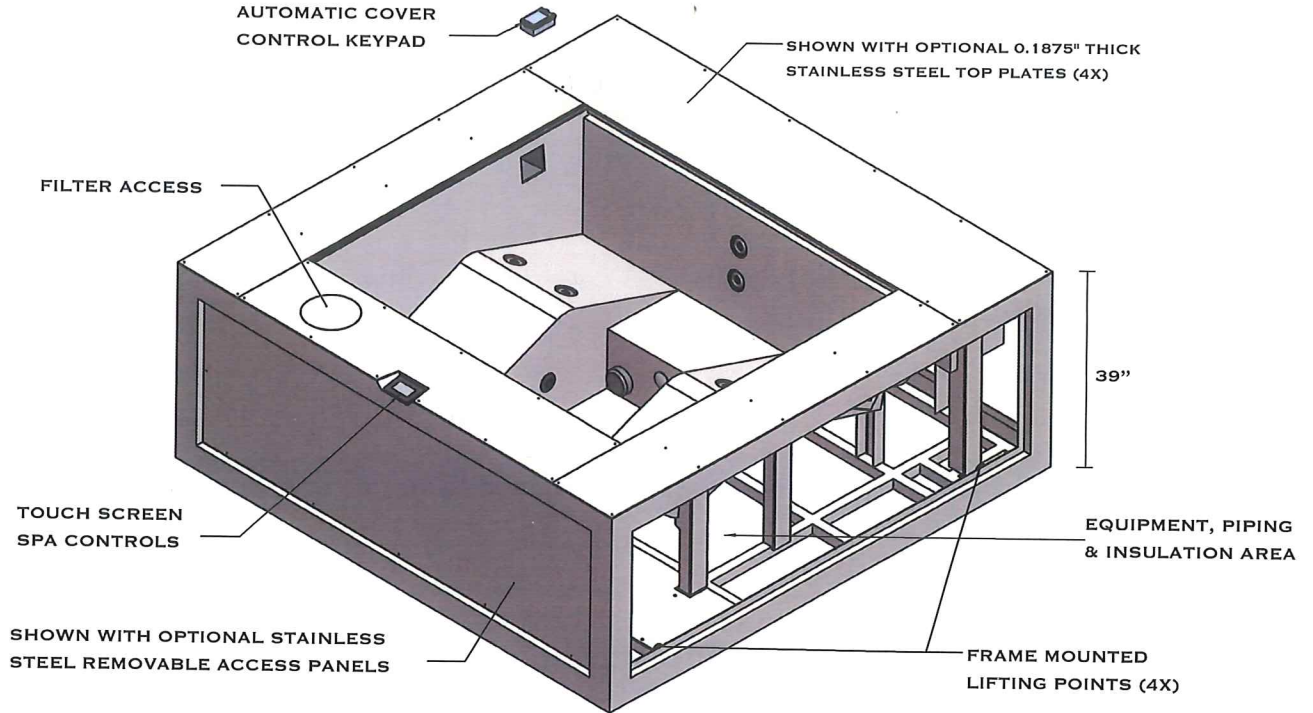


# WINDOM PORTABLE SPA

## STAINLESS STEEL ABOVE GROUND WITH AUTOCOVER

### SPECIFICATIONS

SPEC SHEET FOR PRE-PLANNING  
& ESTIMATING ONLY



#### FEATURES:

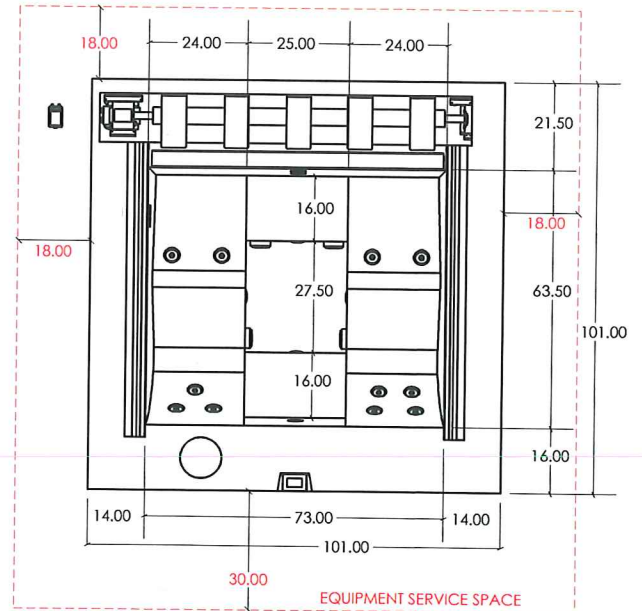
- + 316L STAINLESS STEEL SPA SHELL WITH 304L STAINLESS STEEL FRAME
- + REMOVABLE ACCESS PANELS ARE AVAILABLE IN STAINLESS STEEL OR COPPER
- + 4 BATHER CAPACITY DUAL LOUNGER LAYOUT
- + LED LIGHTING
- + 14 HYDROTHERAPY JETS
- + FULLY INSULATED WITH 2-PART POLYURETHANE FOAM (NOT SHOWN)
- + RIGID FOAM COVER WITH R-15 INSULATION AND ASTM CERTIFICATION
- + UV LIGHT & HYDROGEN PEROXIDE SANITIZATION
- + OVERALL DIMENSIONS: 101" X 101" X 39"
- + WATER CAPACITY: 312 GALLONS
- + EMPTY WEIGHT: 2,483 LBS
- + FULL WEIGHT: 5,089 LBS

#### CERTIFICATIONS:

- STAINLESS STEEL & COPPER SHELLS:
- + IAPMOEGS LISTING FOR UL 1795 AND CSA C22.2 STANDARDS

#### POWER REQUIREMENTS:

- + (1X) 230V 50A GFCI SERVICE AT EQUIPMENT FOR SPA CONTROL AND 5.5KW ELECTRIC HEATER
- + (1X) 120V 15A GFCI SERVICE AT AUTOCOVER KEYPAD
- + SPA SHELL AND ALL EQUIPMENT TO BE BONDED W/ MIN. #6AWG BARE COPPER CONDUCTOR



1.800.951.SPAS (7727) 720.864.9115 FAX 866.605.2358

DIAMONDSPAS.COM INFO@DIAMONDSPAS.COM

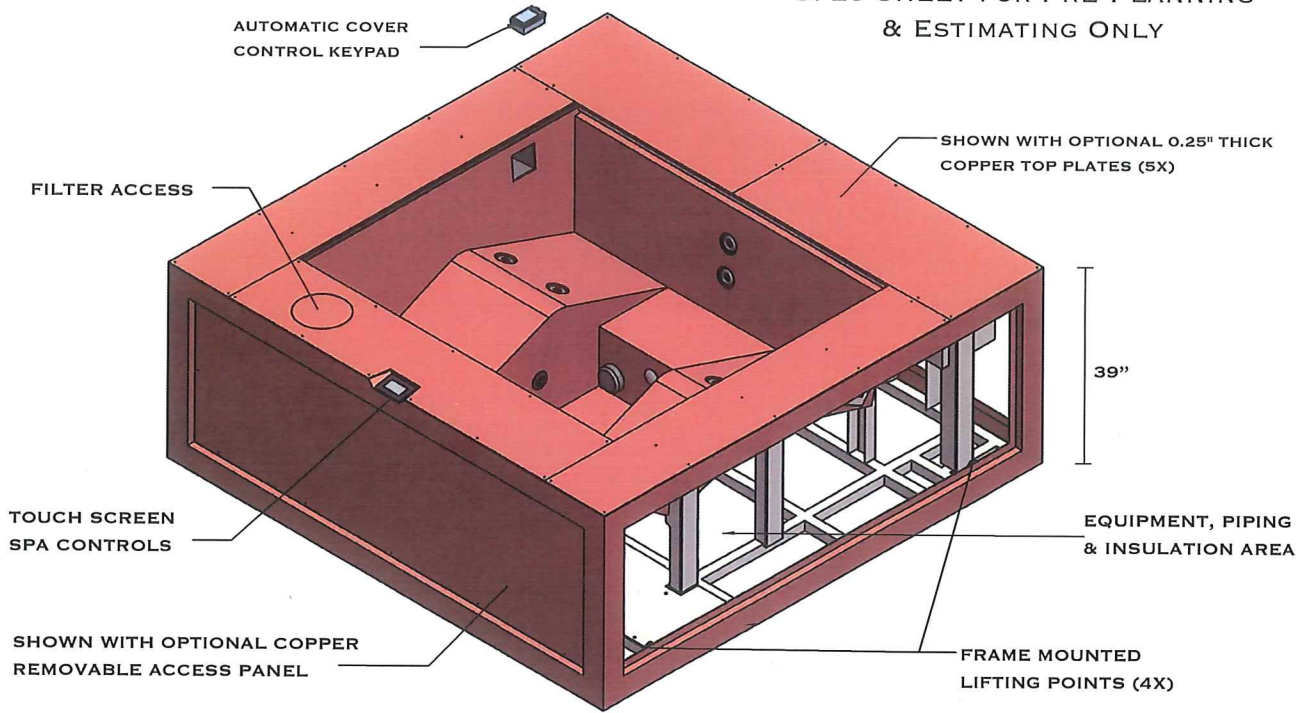


# WINDOM PORTABLE SPA

## COPPER ABOVE GROUND WITH AUTOCOVER

### SPECIFICATIONS

SPEC SHEET FOR PRE-PLANNING  
& ESTIMATING ONLY



#### FEATURES:

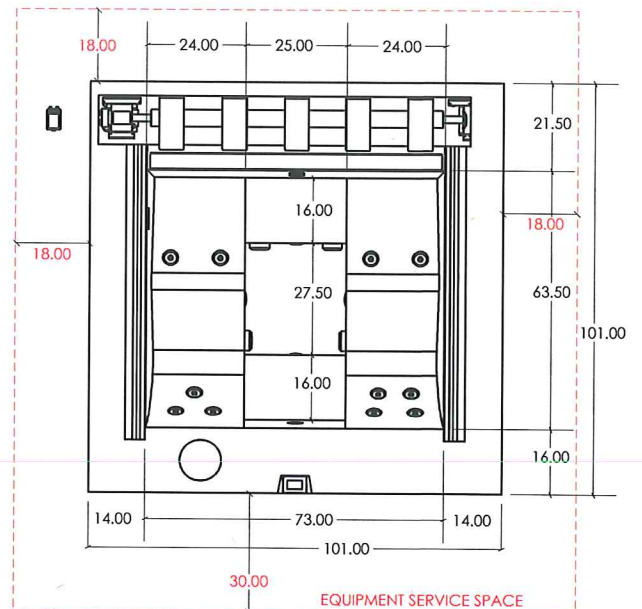
- + COPPER SPA SHELL WITH 304L STAINLESS STEEL SUPPORT FRAME
- + REMOVABLE ACCESS PANELS ARE AVAILABLE IN STAINLESS STEEL OR COPPER
- + 4 BATHER CAPACITY DUAL LOUNGER LAYOUT
- + LED LIGHTING
- + 14 HYDROTHERAPY JETS
- + FULLY INSULATED WITH 2-PART POLYURETHANE FOAM (NOT SHOWN)
- + RIGID FOAM COVER WITH R-15 INSULATION AND ASTM CERTIFICATION
- + UV LIGHT & HYDROGEN PEROXIDE SANITIZATION
- + OVERALL DIMENSIONS: 101" X 101" X 39"
- + WATER CAPACITY: 312 GALLONS
- + EMPTY WEIGHT: 2,633 LBS
- + FULL WEIGHT: 5,239 LBS

#### CERTIFICATIONS:

- STAINLESS STEEL & COPPER SHELLS:
- + IAPMOEGS LISTING FOR UL 1795 AND CSA C22.2 STANDARDS

#### POWER REQUIREMENTS:

- + (1X) 230V 50A GFCI SERVICE AT EQUIPMENT FOR SPA CONTROL AND 5.5KW ELECTRIC HEATER
- + (1X) 120V 15A GFCI SERVICE AT AUTOCOVER KEYPAD
- + SPA SHELL AND ALL EQUIPMENT TO BE BONDED W/ MIN. #6AWG BARE COPPER CONDUCTOR



1.800.951.SPAS (7727) 720.864.9115 FAX 866.605.2358

DIAMONDSPAS.COM INFO@DIAMONDSPAS.COM